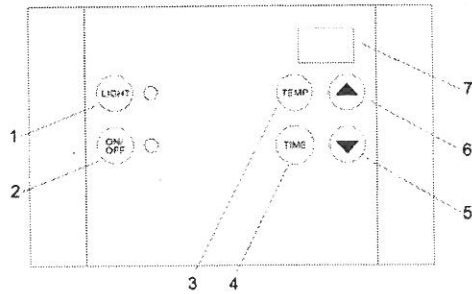


Control Panel



Functions

- 1 = lighting. 2 = on/off. 3 = temperature setting.
 4 = time setting. 5 = reduce temperature/time.
 6 = increase temperature/time. 7 = display

Control Panel use touch sensor for keys.

Lights turns on automatically when the facility starts and switches off automatically when the facility shuts down. You can also switch the lighting on or off manually by pressing LIGHT.

Main power switch is placed on Steam Generator and Sauna Heater. It disconnects the electrical supply to the control card inside the main machine. This main switch should only be used if the steam generator or sauna heater will not be used for a longer period, such as several weeks.

The memory function must be reset each time the power is interrupted.

The thermometer in the steam bath should be placed at such a height that the temperature corresponds exactly to the numbers in the control panel, approximately 1,7m above floor level.

Settings

Setting the bathing temperature.

Press TEMP – the previous temperature is displayed. Use the up and down arrows (▲▼) to change the temperature.

Manual on/off.

Press ON to switch the facility on. Press OFF to switch it off. (LED lights go out). If you forget to switch off the generator manually, it will automatically switch off after 1, 3, 12 or 24 hours – depending on program. Default settings are 3 hours.

Timer Settings.

(The control panel must be in "off" mode)

Press TIME (the hour digits blink) – set the number of hours until you want to use the facility using the up and down arrows (▲▼).

Press TIME (the minute digits blink) – set the number of minutes until you want to use the facility using the up and down arrows (▲▼).

(Important: The hour or minute digits must be blinking before you press ON).

Press ON – the on time is activated and a red LED blinks until the facility automatically starts after the preset time. The heater switches off automatically after 1, 3, 12 or 24 hours – depending on program. Default settings are 3 hours.

You can switch off the facility manually at any time by pressing OFF.

Changing the type of panel (Factory settings = Test no. 53),

1. Connect the voltage
2. Press ▲▼ at the same time for approx. 6 seconds (max 60 seconds after the voltage is connected).
3. Change the type of panel according to the scheme with ▲▼, approve with TEMP. Only S versions steam 55°C should be used with a steam generator.

Panel Type	Program *	Description
-3B	50	Sauna 110°C, 3h running time
-12B	51	Sauna 110°C, 12h running time
-3S	53	Steam 55°C, 3h running time
-12S	54	Steam 55°C, 12h running time
-1S	15	Steam 55°C, 1h running time
-1B	18	Sauna 110°C, 1h running time
-24B	58	Sauna 110°C, 24h running time
-0B	59	Sauna 110°C, ON/OFF
-24S	68	Steam 55°C, 24h running time
-0S	69	Sauna 55°C, ON/OFF

* Settings at ev. use of extern switch with impulse function.

* Settings at ev. use of extern switch with ON/OFF function.

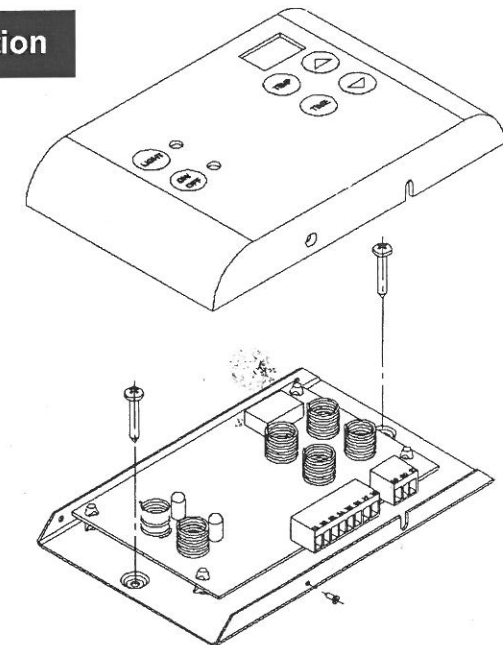
Code lock to prevent settings from being changed.

First program as "Settings", press on the down arrow (▼), hold it down and press TEMP and TIME at the same time. The code lock, which prevents changing of settings, is now activated. To return to unlocked mode, press the down arrow (▼), hold it down and press OFF at the same time. When the control panel is locked, this is indicated by a dot after the temperature on the display. The light function still works.

Code lock that prevents changing of the temperature setting.

First program as "Settings", press TIME, hold it down and press TEMP and LIGHT at the same time. The code lock, which prevents changing of the temperature settings, is now activated. To return to unlocked mode, press the down arrow (▼), hold it down and press OFF at the same time

Installation



1. Loosen the screw and open the cover of control panel.
2. Connect Signals Wire, Temperature Sensor, external switch (if). See user manuals for steam generator or sauna heater for wiring diagrams.
3. Use two self-tapping screws and plastic expansion tubes (ø 6mm) to install back plate on the wall.
4. Install the cover and fasten the self-tap screw.