

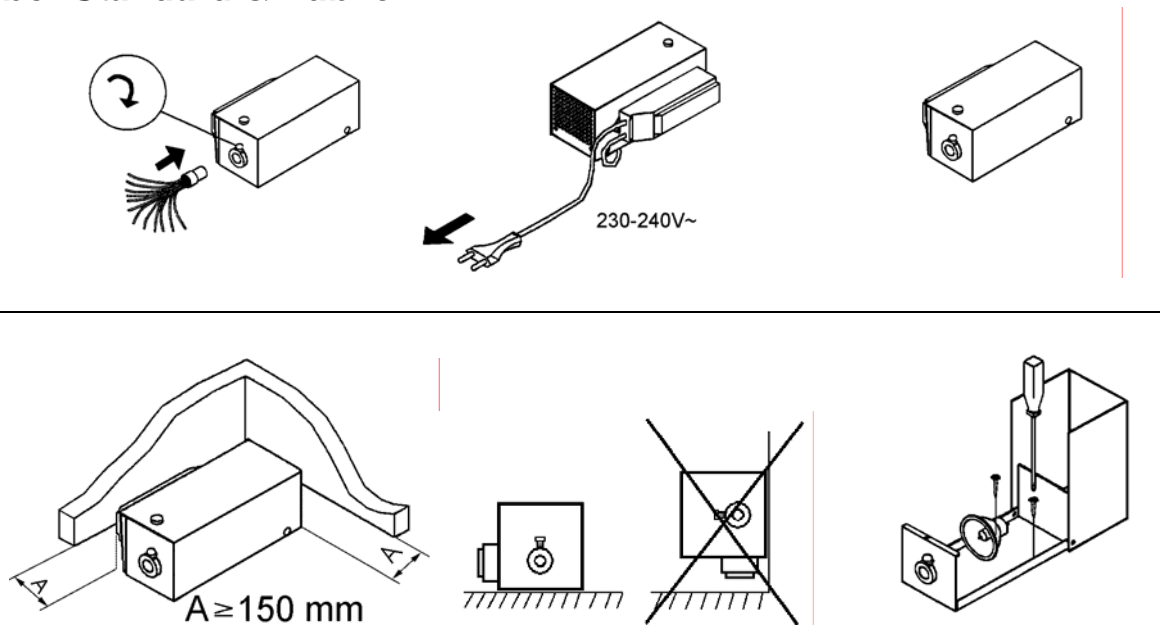


Fiber Optics

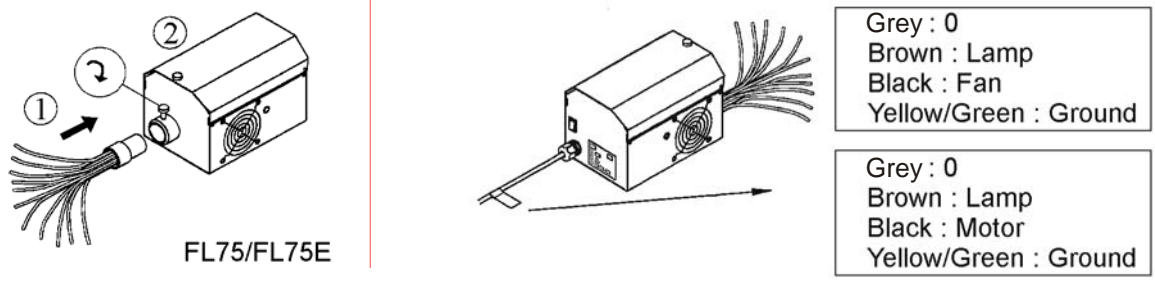
Fiber Standard, Public & Colour

VIKTIGT! Installera ej projektorn inne i basturummet/ångbadrummet.
IMPORTANT! Do not install the projector inside the sauna room/steam room.
WICHTIG! Installieren Sie nicht den Projektor innerhalb des Saunaraumes/Dampfbadkabine.
IMPORTANT! N'installez pas le projecteur à l'intérieur de la salle de sauna/hammam.

Fiber Standard & Public



Fiber Colour

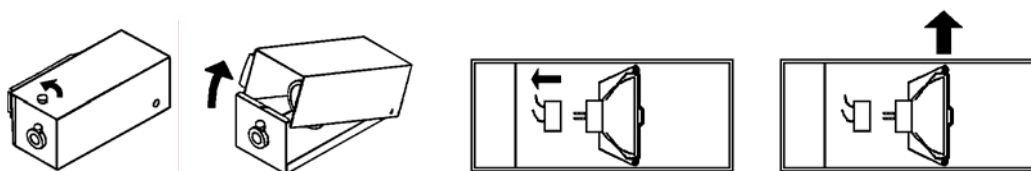


LAMPBYTE * LAMP REPLACEMENT
LAMPEN WECHSELN * REMPLACEMENT DE LAMPE

VIKTIGT! Vid lampbyte: Bryt strömtillförseln!

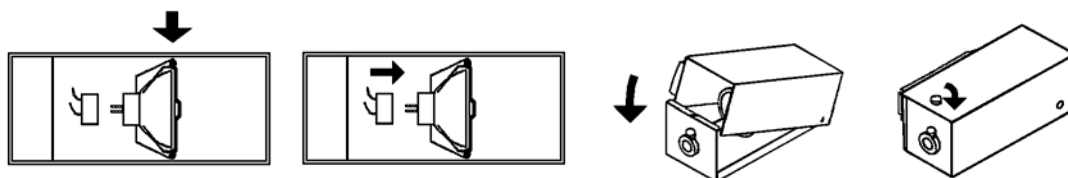
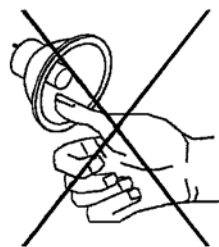
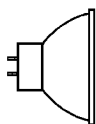
IMPORTANT! By lamp replacement: Disconnect the power supply.

WICHTIG! Beim Lampentausch, bitte Apparat vom Netz trennen!

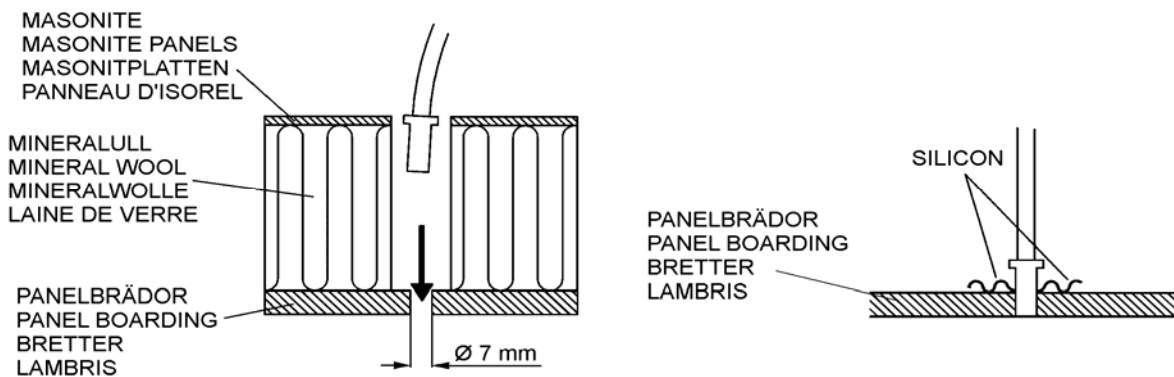


12V~, 42W
art nr 2800 0840

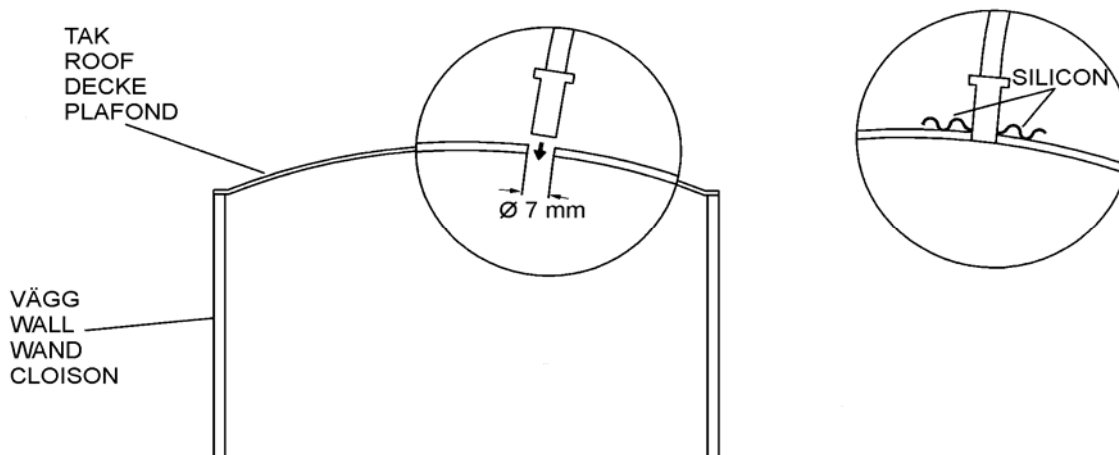
12V~, 75W
art nr 2800 0850



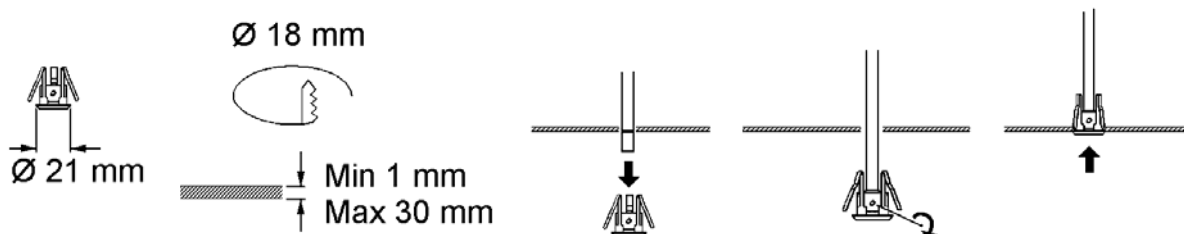
BASTURUM * SAUNAROOM * SAUNARAUMES * SALLE DE SAUNA



ÅNGBADRUM * STEAMBATHROOM * DAMPFBADKABINE * HAMMAM



Fiber Public



TYLÖ®

Manufactured by Tylö AB

Svarvaregatan 6, S-302 50 Halmstad, Sweden.

Tel: +46- 35 10 00 80, Fax: +46- 35 10 25 80

E-mail adress: info@tylo.se

*© This publication may not be reproduced, in part or in whole, without written permission from Tylö.
Tylö reserves the right to amend specifications to materials, construction and design.*