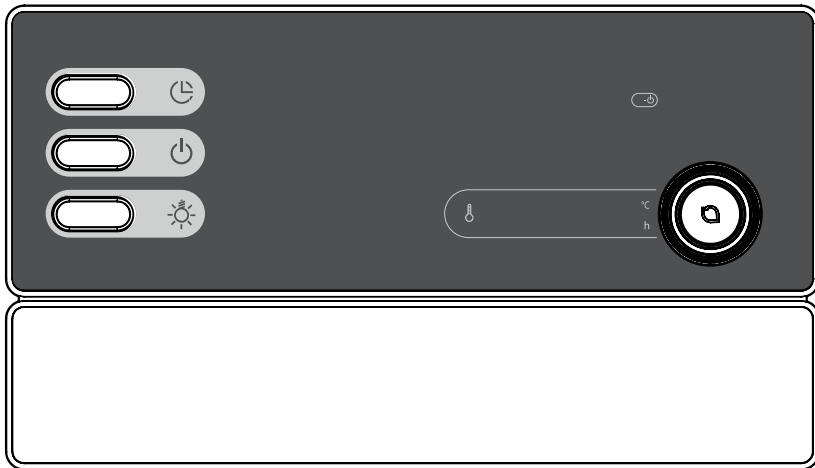


Sauna control unit

Pro B2 PRO-B2

INSTRUCTIONS FOR INSTALLATION AND USE
English



EN

Table of Contents

1. About this instruction manual	4
2. Important information for your safety	5
2.1. Intended use	5
2.2. Safety information for the installer	6
2.3. Safety information for the user	7
3. Product description	8
3.1. Scope of delivery	8
3.2. Optional accessories	8
3.3. Product functions	8
3.4. Sensor operating modes	9
4. Installation	10
4.1. Installing the sauna control unit	10
4.2. Installing the heater sensor F1 with excess temperature fuse	12
4.3. Installing bench sensor F2 (optional)	13
5. Electrical connection	14
5.1. Connecting the power supply cable and heater cable	15
5.2. Connecting the light	15
5.3. Connecting the power booster (optional)	16
5.4. Connecting heater sensor F1	16
5.5. Installing bench sensor F2 (optional)	16
5.6. Connecting the safety shut-off	16
5.7. Remote start	17
5.8. Finishing installation	17
6. Performing tests	18
7. Connection diagram	20

8. Starting-up	21
8.1. Setting the heating period limit	21
8.2. Activating/deactivating phase alignment	22
8.3. Activating/deactivating the single-sensor mode	22
8.4. Displaying the heater temperature in single-sensor mode	22
9. Operation	23
9.1. Operating elements	23
9.2. Switching on the light	23
9.3. Switching on the sauna control unit	24
9.4. Starting the sauna	24
9.5. Changing the preset temperature	24
9.6. Setting the preset time	25
9.7. Cancelling the preset time function	26
9.8. Activating standby for remote operation	26
9.9. Switching off the sauna control unit	26
10. Cleaning and maintenance	27
10.1. Cleaning	27
10.2. Maintenance	27
11. Disposal	27
12. Troubleshooting	28
12.1. Error messages	28
12.2. Fuses	29
13. Technical data	30

1. About this instruction manual

Read these instructions for installation and use carefully and keep them within reach of the sauna control unit. This ensures that you can refer to information regarding your safety and regarding operation at any time.



These installation and operating instructions can also be found in the downloads section of our website: www.sentiotec.com/downloads.

Symbols used for warning notices

In these instructions for installation and use, a warning notice located next to an activity indicates that this activity poses a risk. Always observe the warning notices. This prevents damage to property and injuries, which in the worst case may be fatal.

The warning notices contain keywords, which have the following meanings:



DANGER!

Serious or fatal injury will occur if this warning notice is not observed.



WARNING!

Serious or fatal injury can occur if this warning notice is not observed.



CAUTION!

Minor injuries can occur if this warning notice is not observed.

ATTENTION!

This keyword is a warning that damage to property can occur.

Other symbols



This symbol indicates tips and useful information.

2. Important information for your safety

The sauna control unit Pro B2 has been produced in accordance with the applicable safety regulations for technical units. However, hazards may occur during use. Therefore adhere to the following safety information and the specific warning notices in the individual chapters. Also observe the safety information for the devices connected.

2.1. Intended use

The sauna control unit Pro B2 is used exclusively for operating and controlling the sauna functions in accordance with the technical data.

The sauna control unit Pro B2 may only be used for operating and controlling a sauna heater which has been certified as satisfying the combustion test described in paragraph 19.101 of EN 60335-2-53. Alternatively, a suitable safety shut-off device can be installed in or above the heater.

The sauna control unit Pro B2 may only be used for operating and controlling 3 heating circuits with a maximum heating capacity of 3.5 kW per heating circuit.

Any use exceeding this scope is considered improper use. Improper use can result in damage to the product, in severe injuries or death.

EN

2.2. Safety information for the installer

- Installation may only be performed by a qualified electrician or similarly qualified person.
- Work on the sauna control unit may only be performed when the power has been disconnected.
- An all-pole disconnecting device with full cut-off compliant with overvoltage category III must be fitted on-site.
- The sauna control unit must be installed outside the sauna room at a height of approx. 1.70 m or in accordance with the recommendation issued by the sauna manufacturer. The ambient temperature must be within a range spanning -10 °C to +40 °C.
- The heater sensor must be attached in a way that it is not affected by a flow of air.
- The heater supply cable must have a minimum cross-section of 2.5 mm² and be temperature resistant up to 150 °C.
- Also comply with the regulations applicable at the installation location.
- For your own safety, consult your supplier in the event of problems that are not explained in sufficient detail in the installation instructions.

2.3. Safety information for the user

- The sauna control unit must not be used by children under 8 years old.
- The sauna control unit may only be used by children above 8 years old, by persons with limited psychological, sensory or mental capabilities or by persons with lack of experience/knowledge:
 - When they are supervised.
 - When they have been shown how to use the device safely and are aware of the hazards that could occur.
- Children must not play with the sauna control unit.
- Children under 14 years of age may only clean the sauna control unit if they are supervised.
- For health reasons, do not use the sauna when under the influence of alcohol, medication or drugs.
- Make sure that no flammable objects have been placed on the sauna heater before the sauna control unit is switched on.
- Make sure that no flammable objects have been placed on the heater before activating the preset time function or the stand-by mode for the remote start.
- For your own safety, consult your supplier in the event of problems that are not described in sufficient detail in the operating instructions.

3. Product description

3.1. Scope of delivery

- Sauna control unit
- Heater sensor with integrated excess temperature fuse
- Sensor wires
- Installation material

3.2. Optional accessories

- Bench sensor (item number: O-F2)
- Power booster (item number: O-S2-18 / O-S2-30)
- Safety shut-off (item number: HT-SWL)
- pronet web server (item number: PRO-NET)

3.3. Product functions

The sauna control unit Pro B2 features the following functions:

- Regulation of sauna heaters with a heating output of up to 10.5 kW in the temperature range spanning 30 °C to 110 °C.
- A power booster allows the maximum contact rating to be increased from 10.5 kW to 18 kW or 30 kW.
- Remote start function
- Preset time function (up to 24 hours)
- Automatic heating period limiter
The sauna control unit shuts down automatically after the maximum heating period for safety reasons. The maximum heating period can be set to 6 h, 12 h, 18 h or 24 h.
- Excess temperature fuse
The excess temperature fuse is installed in the housing for the heater sensor. Should the sauna heater continue heating after reaching the preferred temperature due to a defect, the excess temperature fuse switches the sauna heater off at a temperature of approx. 139 °C.

3.4. Sensor operating modes

The sauna control unit can be operated with one or two temperature sensors.

Single-sensor mode (F1)

Single-sensor mode must be activated when starting up the sauna for the first time (see **8.3. Activating/deactivating the single-sensor mode** on page **22**).

In single-sensor mode, the sauna control unit is operated with the heater sensor with an excess temperature fuse (F1) only. In single-sensor mode, the sauna control unit only displays the set temperature. The actual temperature is not displayed. Should the sauna control unit display the temperature above the heater (F1) as an actual temperature in single-sensor mode, it must be activated when starting up for the first time (see **8.4. Displaying the heater temperature in single-sensor mode** on page **22**)

Two-sensor mode with bench sensor (F2)

In two-sensor mode with bench sensor, a second temperature sensor (bench sensor) is installed above the rear sauna bench. The sauna control unit displays the temperature measured by the bench sensor as the actual temperature.

4. Installation

4.1. Installing the sauna control unit

ATTENTION!***Damage to the unit***

The sauna control unit is protected against jets of water, however direct contact with water could still damage the unit.

- Install the sauna control unit in a dry place at which a maximum humidity of 95 % is not exceeded.
-

ATTENTION!***Sources of interference can have a negative effect on signal transmission***

- Lay all sensor wires separately from other mains wires and control wires.
 - Protect wires with only one layer of insulation by using a pipe (double insulation).
-

Observe the following points when installing the sauna control unit:

- The sauna control unit must be installed outside the sauna room or in accordance with the recommendation issued by the sauna manufacturer.
- The ambient temperature must be within a range spanning -10 °C to +40 °C.
- The sensors may only be connected using the sensor wires provided with the unit, which are heat-resistant up to 150 °C.



The sensor wires may be extended under the following conditions:

- When a silicon wire resistant to temperatures up to 150 °C is used.
 - The minimum cross-section of the wire is 0.5 mm².
 - The length of the heater sensor wires may NOT exceed 10 m.
-

To install the sauna control unit, perform the following steps:

1. Screw two Phillips-head screws (16 mm) into the wall of the sauna at a height of approx. 1.70 m to a distance of up to 7 mm. The two screws must be placed at a distance of 145 mm from each other (see **Fig. 1**).

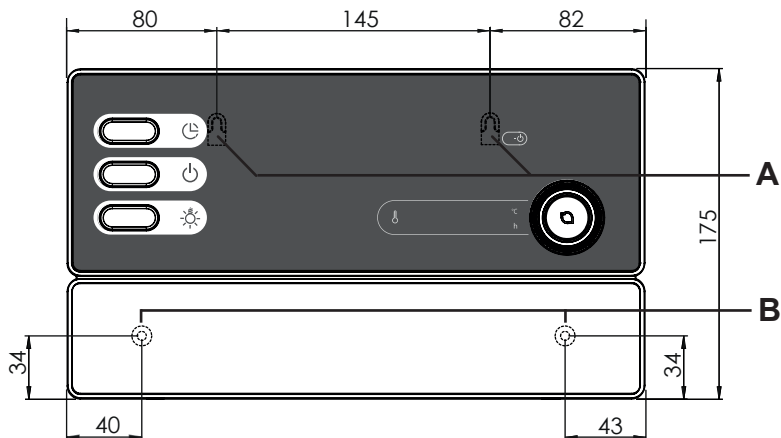


Fig. 1 Position of the attachment device and the installation holes (dimensions in mm)

EN

2. Press the clip locks **C** in lightly using a screwdriver and remove the cover from the housing (see **Fig. 2**).
3. Fasten the sauna control unit onto the Phillips-head screws using the attachment device **A** as an aid (see **Fig. 1**).
4. Screw two Phillips-head screws (16 mm) into the lower fastening holes **B** (see **Fig. 1**).

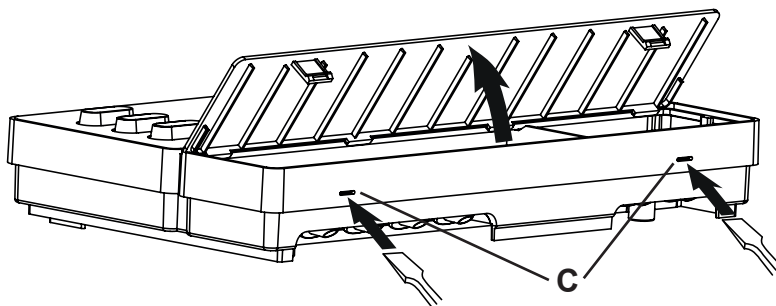


Fig. 2 Removing the cover from the housing

4.2. Installing the heater sensor F1 with excess temperature fuse

Observe the following points when installing the heater sensor:

- The heater sensor must be installed on the rear of the heater, above the middle of the sauna heater. An interval of approx. 15 cm to the roof of the sauna room must be maintained.
- The heater sensor must be attached in a way that it is not affected by a flow of air.

To install the heater sensor, perform the following steps (see **Fig. 3**):

1. Lay the two 2-pin heater sensor wires in the wall of the sauna room, leading them to the heater sensor installation location and affix the heater sensor wires using wire clips.
2. Pull the two half-shells **1** of the heater sensor apart.
3. Connect the four connectors for the heater sensor wire **5** in accordance with the **Fig. 3**.
4. Place the connection panel **2** crossways (as shown in **Fig. 3**) in the heater sensor half-shells.
5. Place the two half-shells together, screw them together using the two Phillips-head screws **3** (9 mm) and check whether the heater sensor has been securely closed.
6. Install the heater sensor on the rear of the heater using the two wood screws enclosed **6** (16 mm).

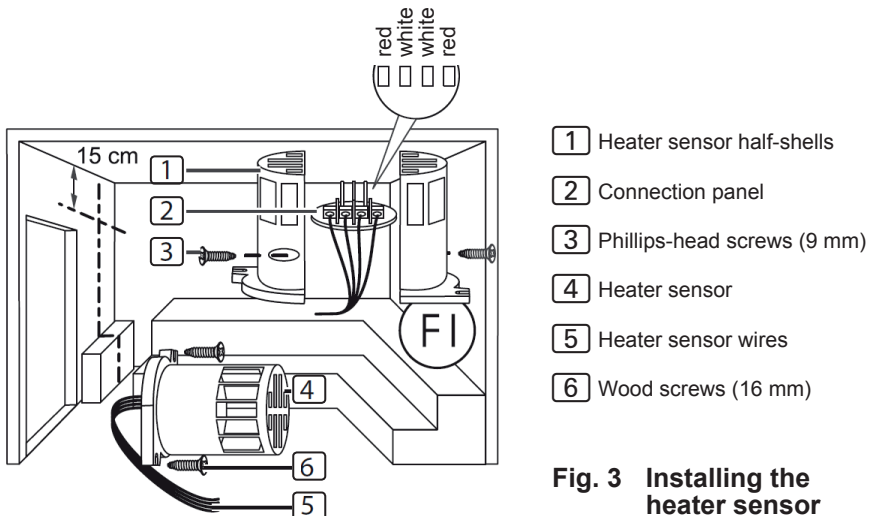


Fig. 3 Installing the heater sensor

4.3. Installing bench sensor F2 (optional)

The bench sensor must be installed on the wall of the sauna room, above the rear bench seat. An interval of approx. 15 cm to the roof of the sauna room must be maintained.

To install the bench sensor, perform the following steps:

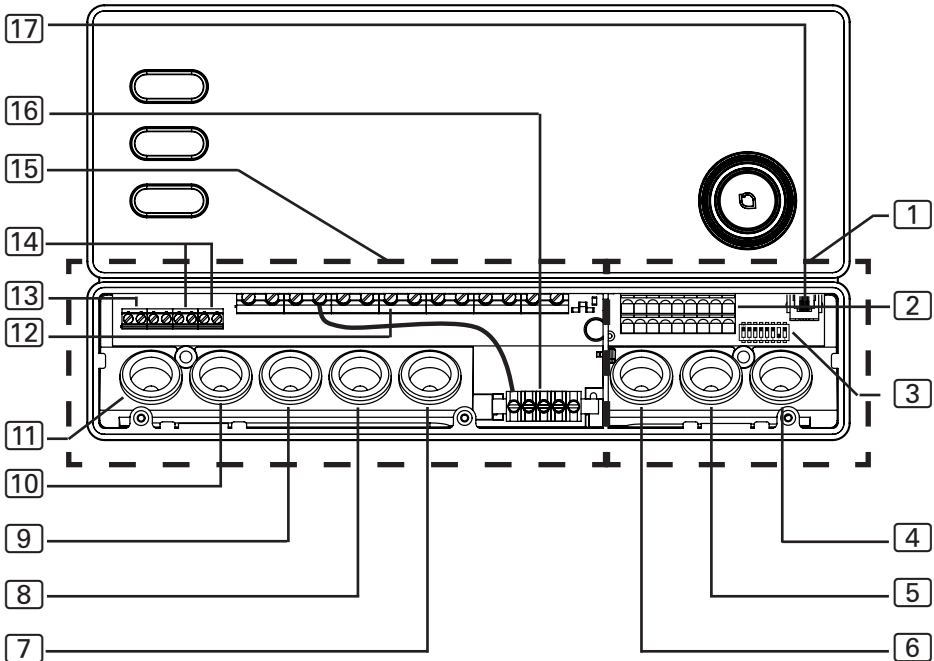
1. Lay the two 2-pin bench sensor wires in the wall of the sauna room, leading them to the bench sensor installation location and affix the bench sensor wires using wire clips.
2. Pull the two half-shells of the bench sensor apart.
3. Connect the two connectors for the bench sensor wire to the two middle terminals on the connection panel.
4. Place the connection panel crossways in the bench sensor half-shells.
5. Place the two half-shells together and screw them together using the two Phillips-head screws (9 mm).
6. Check whether the bench sensor has been securely closed.
7. Install the bench sensor on the wall of the sauna room using the two wood screws enclosed (16 mm). Maintain an interval of 15 cm to the roof of the sauna room.

5. Electrical connection

ATTENTION!

Damage to the unit

- The sauna control unit may only be used for operating and controlling 3 heating circuits with a maximum heating capacity of 3.5 kW per heating circuit.



- | | |
|-----------------------------------------------------------------------------|-----------------------------------------------------|
| 1 Low-voltage connection area | 9 Cable bushing for power supply cable |
| 2 Terminal strips for safety shut-off device, remote start and sensor wires | 10 Cable bushing for power booster |
| 3 Function selection switch | 11 Cable bushing for light |
| 4 Cable bushing for F2 sensor | 12 Terminal strip for heater and power supply cable |
| 5 Cable bushing for F1 sensor | 13 Terminal strip light |
| 6 Cable bushing for safety shut-off device and remote start | 14 Terminal strip for power booster |
| 7 Cable bushing (leave free) | 15 Connection area for 230 V / 400 V |
| 8 Cable bushing for heater wire | 16 Earth rail |
| | 17 RJ45 socket for RS-485 and pronet |

Observe the following points when connecting the power to the sauna control unit:

- Installation may only be performed by a qualified electrician or similarly qualified person.



Please observe that in the event of a guarantee claim, a copy of the bill from the electrician performing the work must be presented.

- Work on the sauna control unit may only be performed when the power has been disconnected.
- There must be a fixed connection for the electrical power supply.
- An all-pole disconnecting device with full cut-off compliant with overvoltage category III must be fitted on-site.
- Observe the connection diagram (**Fig. 4**) on page **20**.

5.1. Connecting the power supply cable and heater cable

1. Guide the power supply and heater cable through the cable bushings **9** and **8** into the connection area for 230 V/400 V **15**.
2. Connect the power supply cables to the terminal strip **12** in accordance with the connection diagram. Observe the operating instructions for the respective devices.

EN

5.2. Connecting the light

1. Guide the light cable through the cable bushing **11** into the connection area for 230 V/400 V **15**.
2. Connect the light cable to the terminal strip **13** in accordance with the connection diagram. Observe the operating instructions for the respective device.

5.3. Connecting the power booster (optional)

1. Guide the cable for the power booster through the cable bushing **[10]** into the connection area for 230 V/400 V **[16]**.
2. Connect the cable for the power booster to the terminal strip **[14]** in accordance with the connection diagram. To do so, use terminal “**ST1**” for the safety circuit, and terminal “**ST2**” for the control circuit. Observe the operating instructions for the respective device.

5.4. Connecting heater sensor F1

1. Guide the wires for the heater sensor through the cable bushing **[5]** into the low-voltage connection area **[1]**.
2. Connect the red wires for the heater sensor to the terminals labelled “**STB**” in terminal strip **[2]**.
3. Connect the white wires for the heater sensor to the terminals labelled “**F1**” in terminal strip **[2]**.

5.5. Installing bench sensor F2 (optional)

1. Guide the wires for the bench sensor through the cable bushing **[4]** into the low-voltage connection area **[1]**.
2. Connect the wires for the bench sensor to the terminals labelled “**F2**” in terminal strip **[2]**.

5.6. Connecting the safety shut-off

EN 60335-2-53 states that sauna control units with a remote start or preset timer function may only be used for operating and regulating a sauna heater which has satisfied the combustion test described in paragraph 19.101. Alternatively, a suitable safety shut-off device can be installed in or above the heater. This shuts the sauna heater off when objects, e.g. a towel, are placed on the sauna heater.

To install the safety shut-off device, perform the following steps:

1. Install the safety shut-off device in accordance with the operating instructions for the device.
2. Guide the wires for the safety shut-off device through the cable bushing **6** into the low-voltage connection area **1**.
3. Connect the wires to the terminals labelled “**OSG**” in terminal strip **2**.



If a safety shut-off is not installed, a jumper must be fitted at the terminals labelled “**OSG**”.

5.7. Remote start

This is connected using terminals “**S**”, “**B**” and “**C**”. “**S**” stands for sauna mode. “**B**” is a +24 V DC output. This must be activated using a switch or an actuator on terminal “**S**”.

5.8. Finishing installation

1. Connect the earth conductor for the power supply cable and all devices to the earth rail **16**.
2. Place the cover of the housing on the upper edge of the junction box.
3. Push the clip locks inwards lightly, and turn the cover of the housing downwards until it engages audibly.

EN

6. Performing tests

The following tests must be performed by a certified electrical fitter.



WARNING!

The following tests must be performed with the power supply switched on. There is a danger of electric shock.

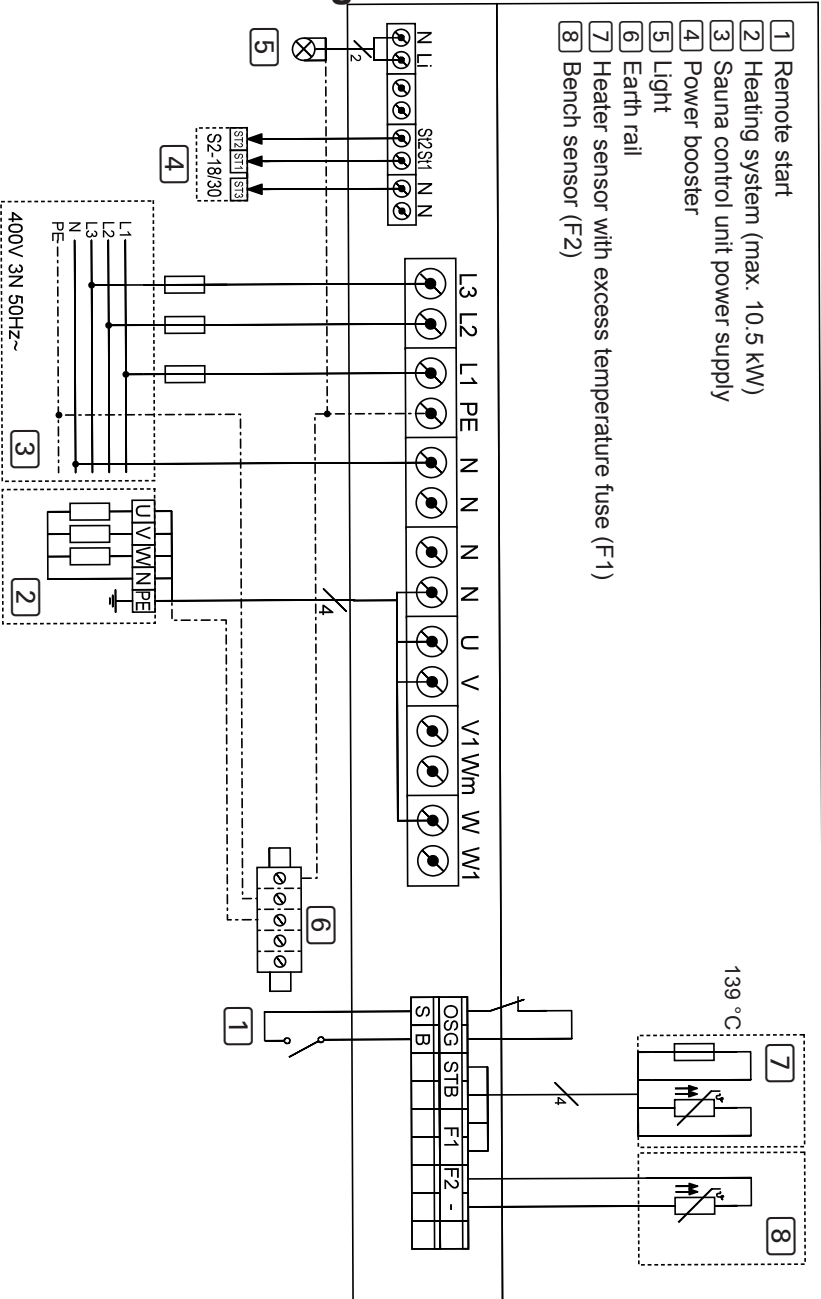
- NEVER touch live parts.
-

1. Check the contact of the earth conductors on the earth conductor terminal.
2. Check the excess temperature fuse on the heater sensor F1.
 - a. Switch on the sauna control unit.
 - b. Open the heater sensor and disconnect one of the two red wires for the heater sensor.
 - ▶ “Err” shows in the top display, “02” shows in the bottom display, and the control unit switches off the heater.
 - c. Switch off the sauna control unit.
 - d. Reconnect the red wire for the heater sensor.
 - e. Now disconnect one of the white wires for the heater sensor.
 - f. Switch on the sauna control unit.
 - ▶ “Err” shows in the top display, “04F1” shows in the bottom display and the control unit switches off the heater.
 - g. Switch off the sauna control unit.
 - h. Reconnect the white wire for the heater sensor.
3. Check the phase circuit for sauna mode L1, L2, L3 is connected to U, V, W.
4. Check the maximum permissible heating output of 3.5 kW per phase on the sauna control unit.

5. When there is an optional power booster:
 - a. Check the control wires ST1, ST2 and ST3.
 - b. Check the maximum permissible heating output of 3 kW per phase on the power booster S2-18.
 - c. Check the maximum permissible heating output of 7 kW per phase on the power booster S2-18.

7. Connection diagram

Fig. 4 Connection diagram



8. Starting-up

The function selection switch in the low-voltage connection area allows a variety of product functions to be activated. The figure at the right shows the standard setting for the function selection switch.

Note that the control unit needs to be switched off for 10 seconds after making changes so that the settings are saved.

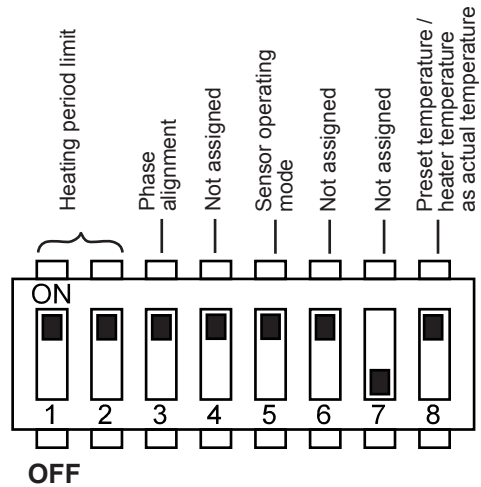


Fig. 5 Function selection switch – Standard setting

8.1. Setting the heating period limit

The maximum heating period is set to 6 hours as standard. The sauna control unit shuts down automatically after the maximum heating period for safety reasons.

The function selection switch in the low-voltage connection area allows the maximum heating period to be set to 12 hours, 18 hours or 24 hours. The required positions of the function selection switch can be found in the table on the right.

<i>Function selection switch</i>	1	2
6 hours	ON	ON
12 hours	OFF	ON
18 hours	ON	OFF
24 hours	OFF	OFF



The EN 60335-2-53 specifies a maximum heating period limit of 6 hours for private saunas. For saunas in hotels, apartment blocks and similar locations, a maximum heating period limit of 12 hours is permissible. Extending the heating period limit to 18 hours or 24 hours is only permitted in public saunas.

EN

8.2. Activating/deactivating phase alignment

Phase alignment is activated or deactivated using the function selection switch **3**.

- The function selection switch **3** is set to the ON position as standard. Phase alignment is therefore activated.
- If you wish to deactivate phase alignment, place the function selection switch **3** in the OFF position.

8.3. Activating/deactivating the single-sensor mode

In single-sensor mode, the sauna control unit is operated with the heater sensor with an excess temperature fuse (F1) only. The single-sensor mode must be activated above the function selection switch **5**.

- The function selection switch **5** is set to the ON position as standard. Two-sensor mode is therefore activated.
- If you wish to deactivate single-sensor mode, place the function selection switch **5** in the OFF position.

8.4. Displaying the heater temperature in single-sensor mode

In single-sensor mode, the sauna control unit only displays the set temperature as standard. The actual temperature is not displayed. Should the sauna control unit display the temperature above the heater (F1) as an actual temperature in single-sensor mode, it must be activated with the function selection switch **8**.

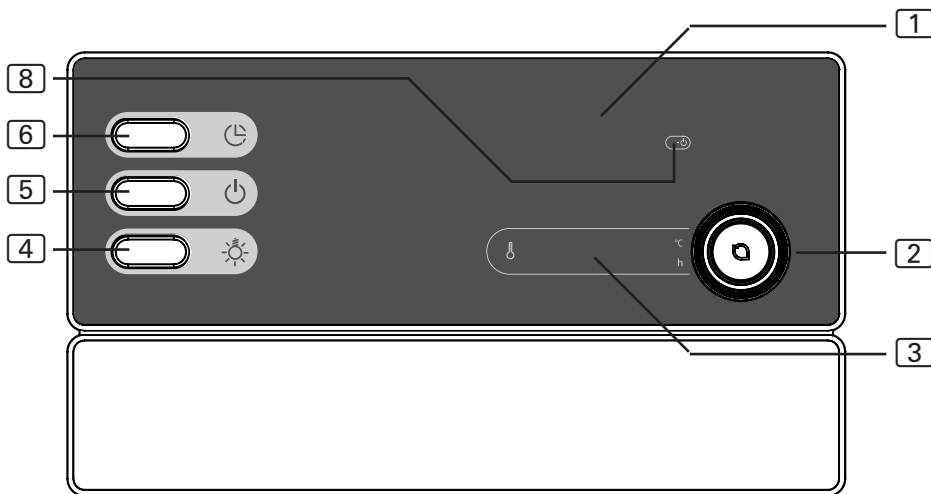
- The function selection switch **8** is set to the ON position as standard. Therefore only the set temperature is displayed.
- Should the temperature above the heater be displayed as an actual temperature, place the function selection switch **8** in the OFF position.



Ensure that the temperature above the heater is always higher than the temperature in the area of the bench seat. With the heater temperature as the actual temperature, the temperature displayed by the sauna control unit is higher than the temperature measured by your sauna room thermometer.

9. Operation

9.1. Operating elements



1 Additional display

2 Temperature selector

3 Temperature display

4 Light switch

5 ON/OFF switch

6 Preset time button

8 Remote start indicator

EN

9.2. Switching on the light

The light in the sauna room can be switched on and off independently of the ON/OFF switch [5].

- To switch the light on or off on the power unit, press the light switch [4].

9.3. Switching on the sauna control unit

**WARNING!*****Risk of fire***

Flammable objects that are placed on the sauna heater could ignite and cause fires.

- NEVER place flammable objects on the sauna heater.
- Make sure that NO flammable objects have been placed on the sauna heater before the sauna control unit is switched on.

- Press the ON/OFF switch [5], to switch on the sauna control unit.
 - ▶ In the temperature display [3], “0” appears for a few seconds. Then the current temperature in the sauna room is displayed. In single-sensor mode, the previously set preset temperature is displayed.

9.4. Starting the sauna

1. Use the temperature selector [2] to set the preferred temperature.
 - ▶ The temperature selector [2] flashes and the preset temperature is shown in the temperature display [3].
2. Press the temperature selector [2].
 - ▶ The sauna heater is switched on and begins to heat up.
 - ▶ Then the current temperature in the sauna room is displayed in the temperature display [3]. In single-sensor mode, the preset temperature is displayed.

9.5. Changing the preset temperature

You can change the preset temperature during operation any time.

- Turn the temperature selector [2] to the right to increase the temperature. Turn the temperature selector [2] to the left to decrease the temperature.
 - ▶ The temperature selector [2] flashes and the preset temperature is shown in the temperature display [3].
 - ▶ Then the current temperature in the sauna room is displayed again in the temperature display [3]. In single-sensor mode, the preset temperature is displayed.

9.6. Setting the preset time



WARNING!

Risk of fire

Flammable objects that are placed on the heater will ignite and cause fires.

- NEVER place flammable objects on the sauna heater.
- Make sure that NO flammable objects have been placed on the sauna heater before you activate the preset timer function.

You can set the preset time in 15 minute intervals. The maximum preset time totals 24 hours. The preset time is shown in hours and minutes, e.g. 8 hours and 15 minutes is shown as 8.15.

1. Start the sauna heater (see point **9.4. Starting the sauna** on page **24**).
2. Press the preset time button **[6]**.
 - ▶ The temperature selector **[2]** flashes and the previously set preset time is shown in the temperature display **[3]**.
3. Press the preset time button **[6]**, to increase the preset time in 15 minute intervals.
4. Once you have reached the required preset time, wait a few seconds.
 - ▶ The sauna control unit changes to standby mode and the timer starts running.
 - ▶ The remaining preset time is shown in the temperature display **[3]**. The temperature selector **[2]** flashes.
 - ▶ Once the preset time has elapsed, the sauna heater switches on.

9.7. Cancelling the preset time function

- Press and hold down the preset time button **[6]** for a second to cancel the preset time function.
 - ▶ The preset time countdown is cancelled.
 - ▶ Then the current temperature in the sauna room is displayed in the temperature display **[3]**. In single-sensor mode, the preset temperature is displayed.



The most recently selected preset time is saved, which means the last value can be recalled at the touch of a button. To reset the preset time to 00:00, press the preset time button for one second.

9.8. Activating standby for remote operation

EN 60335-2-53 specifies that sauna control units with a remote start function must be set manually to “Standby for remote operation” mode. This activation must take place again after each remote start and stop procedure. To do so, perform the following steps:

1. Press the temperature selector **[3]** for one second.
 - ▶ The remote start indicator **[8]** starts flashing.
 - ▶ The sauna control unit is then ready to be started and stopped using a remote start signal.
 - ▶ After a remote start and stop, the remote start indicator goes out and the mode has to be activated again.

9.9. Switching off the sauna control unit

- Press the ON/OFF switch **[6]**, to switch off the sauna control unit.
 - ▶ The temperature display **[4]** goes out.
 - ▶ The sauna control unit is switched off.

10. Cleaning and maintenance

10.1. Cleaning

ATTENTION!

Damage to the unit

The sauna control unit is protected against jets of water, however direct contact with water could still damage the unit.

- Never immerse the device in water.
- Never pour water over the device.
- Never clean the device with a cloth which is too wet.

1. Immerse a cleaning cloth in a mild, soapy solution.
2. Wring the cleaning cloth out well.
3. Wipe the sauna control unit housing carefully.

10.2. Maintenance

The sauna control unit is maintenance-free.

EN

11. Disposal



- Please dispose of packaging materials in accordance with the applicable disposal regulations.
- Used devices contain reusable materials and hazardous substances. Therefore, do not dispose of your used device with household waste, but do so in accordance with the locally applicable regulations.

12. Troubleshooting

12.1. Error messages

The sauna control unit is equipped with diagnostic software which monitors system statuses when it switches on and during operation. As soon as the diagnostic software identifies an error, the sauna control unit switches the sauna heater off.

Errors are indicated by a recurring warning tone and by flashing on the temperature selector [3]. Furthermore, "Err" appears in the additional display [1]. The error number appears in the temperature display [3].

Switch the sauna control unit off using the ON/OFF switch [5] and rectify the error before switching the sauna control unit on again.

The following table describes the possible errors and their causes. If necessary, tell the error number to your customer service specialist.

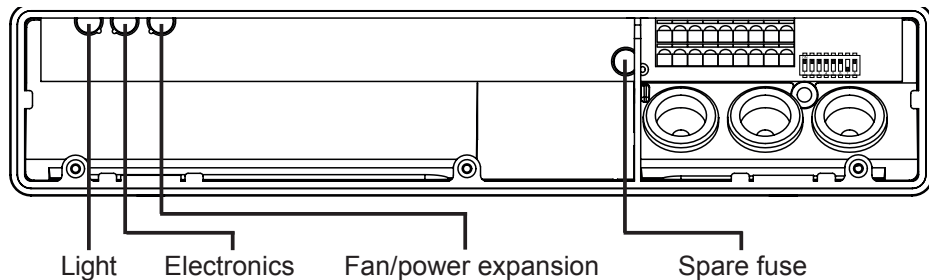
<i>Error</i>	<i>Description</i>	<i>Cause / rectification</i>
01	Safety shut-off	An object has been placed on the sauna heater. Remove any objects before starting up the sauna heater again. If no safety shut-off is fitted, note "5.6. Connecting the safety shut-off" on page 16.
02	Safety temperature limiter	The maximum temperature of 139 °C has been exceeded above the heater.
04F1	Heater sensor error	Defective heater sensor, poor contact, or short circuit.
06F2	Bench sensor error	Defective bench sensor, poor contact, or short circuit.

12.2. Fuses

Fuses for light, fan/power expansion and electronics as well as a spare fuse are located in the sauna control unit's connection area.

These are 1A time delay micro fuses.

They can be ordered using the item number PRO-FUSE.



In order to replace the fuse, pull the fuse link straight out and insert the new fuse.

13. Technical data

Ambient conditions

Storage temperature:	-25 °C to +70 °C
Ambient temperature:	-10 °C to +40 °C
Relative humidity:	max. 95 %

Sauna control unit

Dimensions:	307 x 175 x 57 mm
Switched voltage / three-phase 3N:	400 V AC
Frequency:	50 Hz
Contact rating/heater:	3 x 3.5 kW
Switched current per phase/heater:	16 A
Rated voltage:	230 V
Protection type (protected against jets of water):	IPX4
Connection to the mains supply as fixed wiring (fixed connection)	

Light

Contact rating:	100 W
Fuse:	1A T

Setting ranges

Temperature:	30 °C to 110 °C
--------------	-----------------

Thermal safety

Heater sensor with excess temperature fuse (139 °C shut-off temperature)
 Adjustable automatic heating period (6 h, 12 h, 18 h, 24 h)*
 Optional single-sensor mode or two-sensor mode

Connection cables

Power supply cable:	min. 5 x 2.5 mm ²
Heater supply cable (temperature-resistant up to 150 °C):	min 2.5 mm ²
Sensor wires (temperature-resistant up to 150 °C):	min 0.5 mm ²
Light wire:	min. 1.5 mm ²

* EN 60335-2-53 specifies a heating time limitation of 6 h for saunas for private use. For saunas in hotels, apartment blocks and similar locations, a maximum heating period limit of 12 hours is permissible. Extending the heating period limit to 18 hours or 24 hours is only permitted in public saunas.

