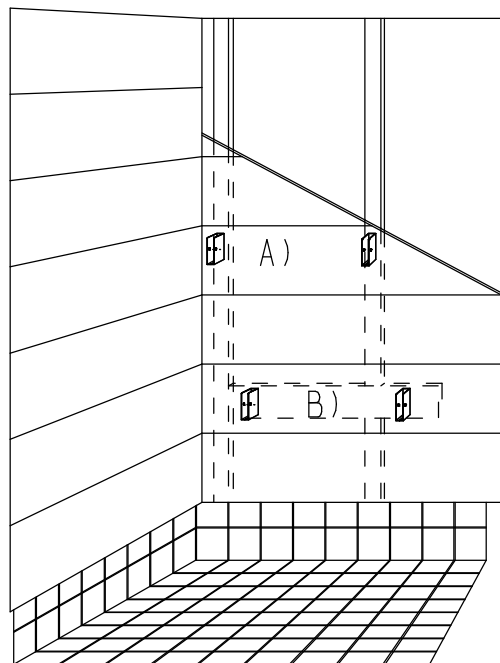
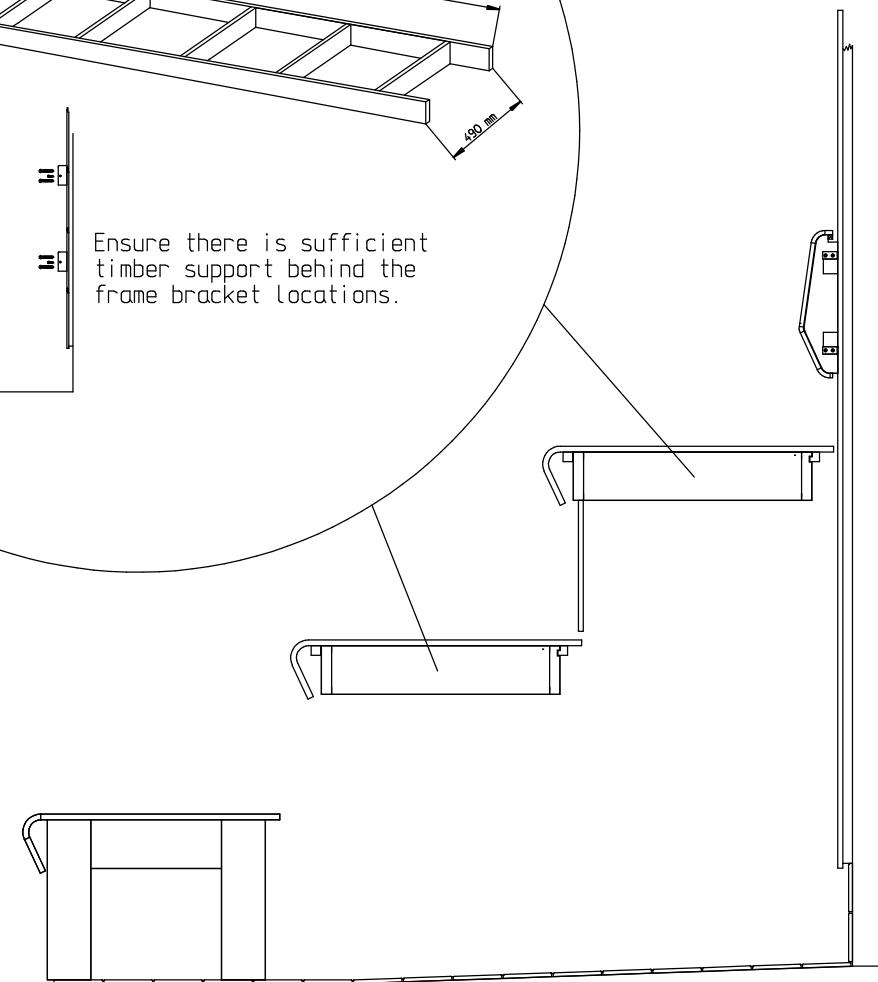
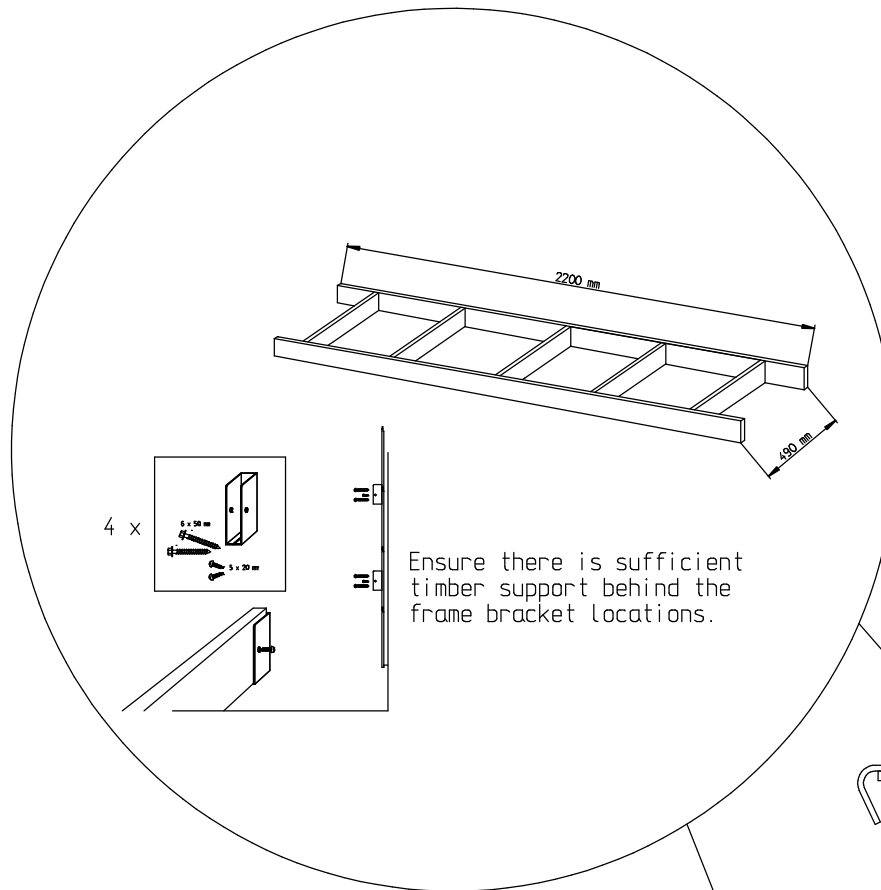


# TAIVE®

## 1603100



Behind the wall panels, timber should be installed for securing the frame brackets.  
Either vertical studs (A),  
or horizontal timber (B) between bracket locations.

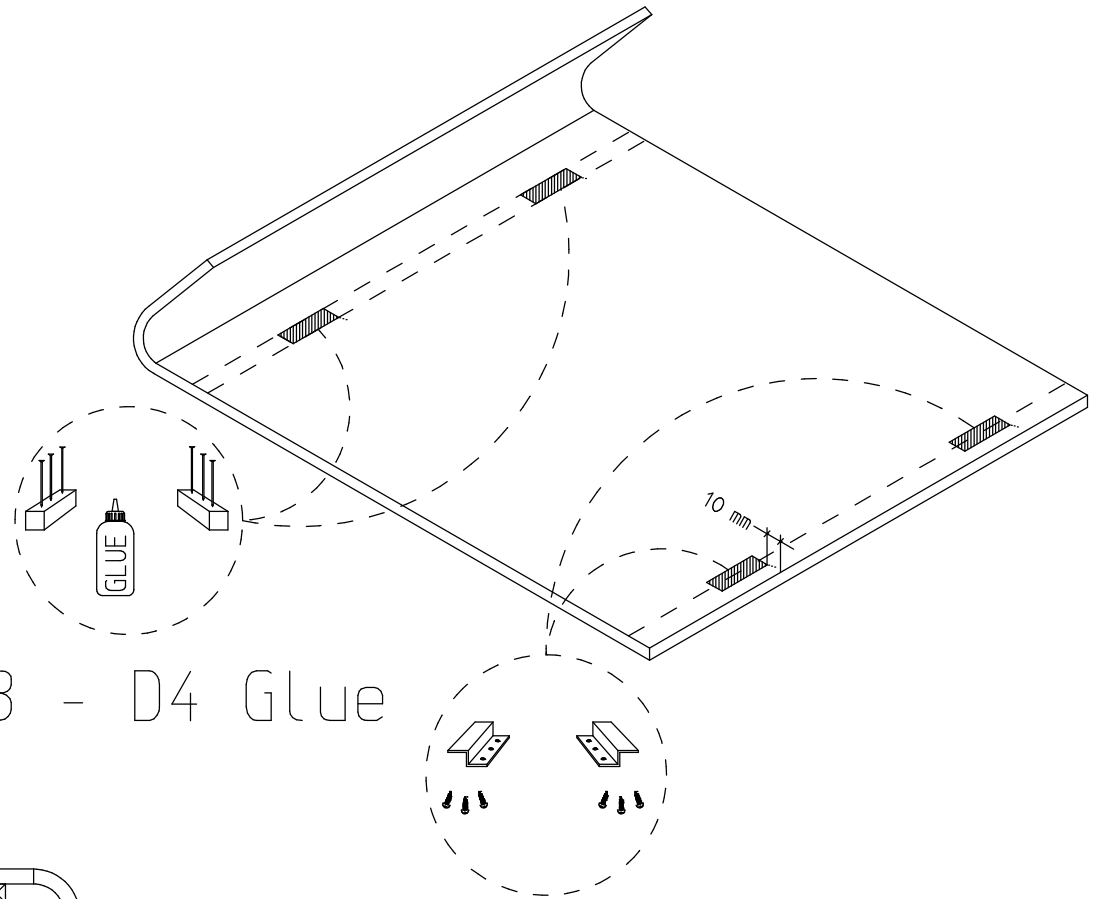


# TAIVE®

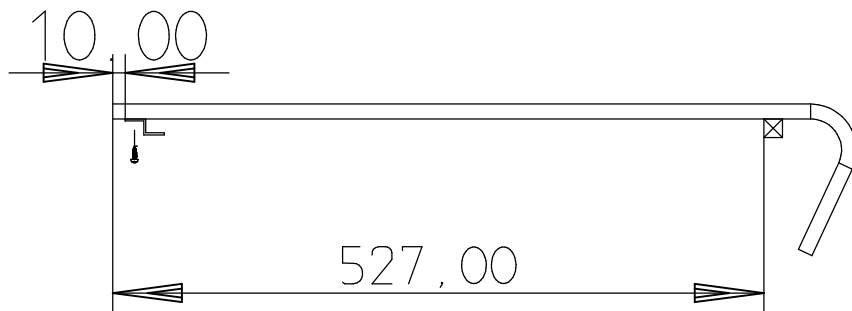
1603101

1603102

1603103

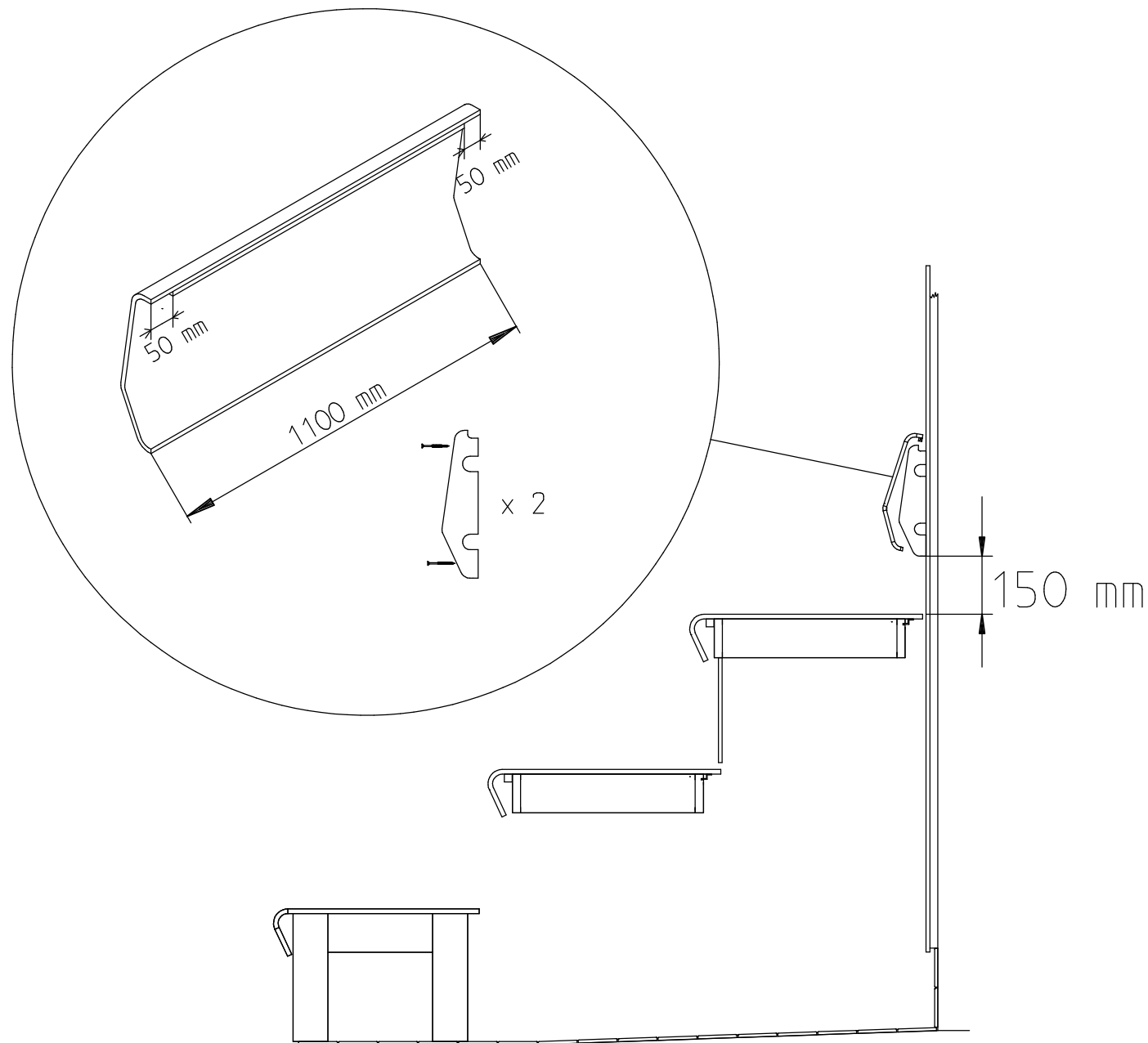


PVAC D3 - D4 Glue



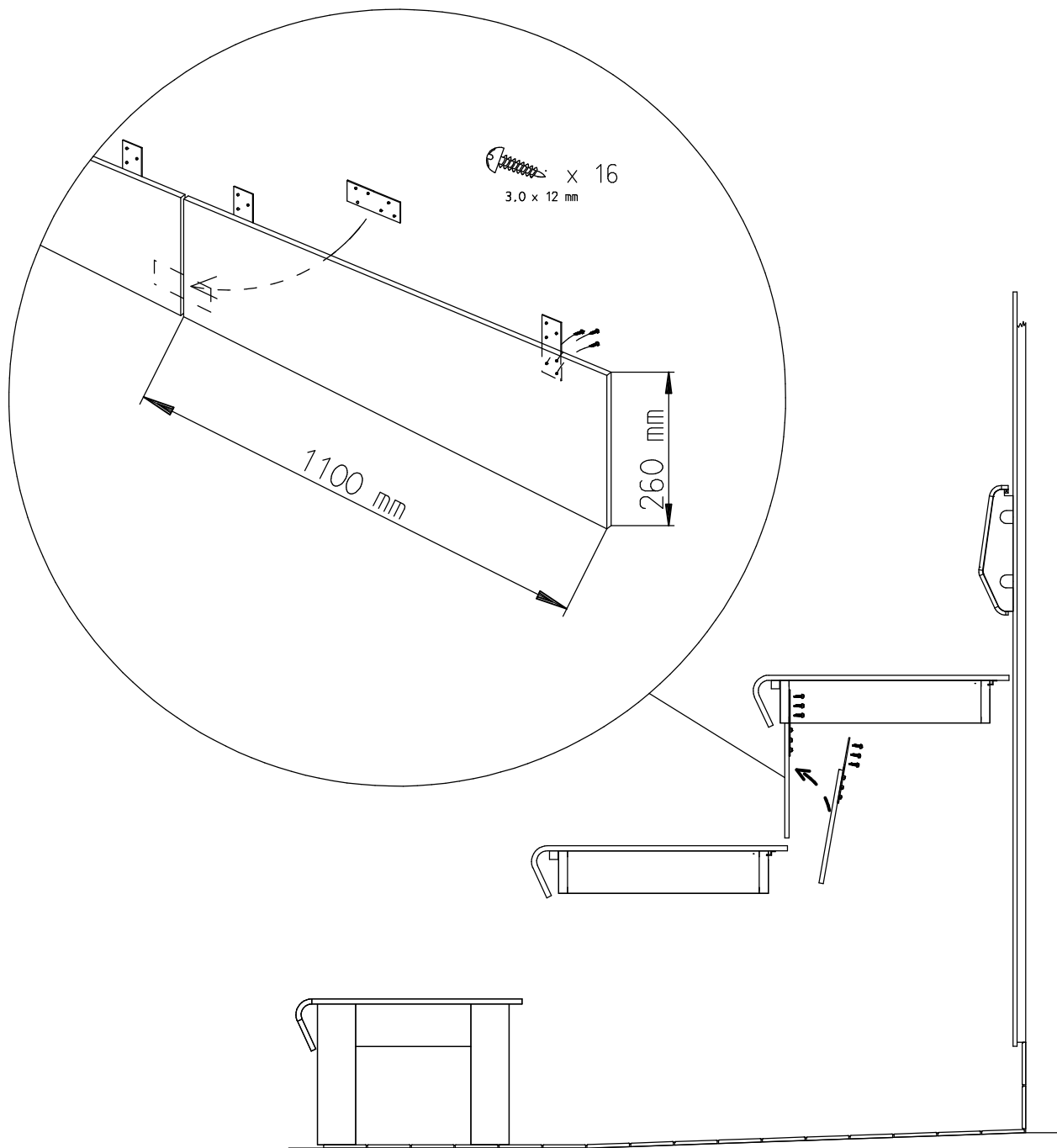
TAIVE®

1603104



# TAIVE®

1603105



# TAIVE®

1603107

